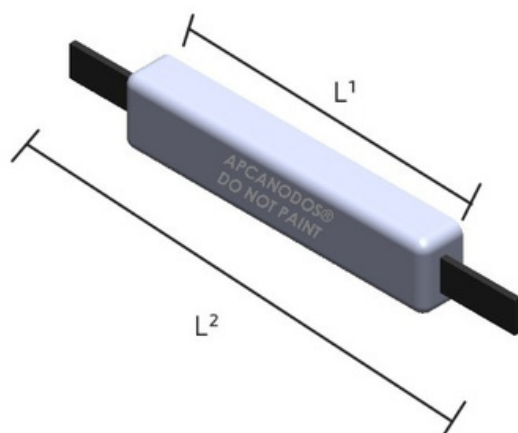
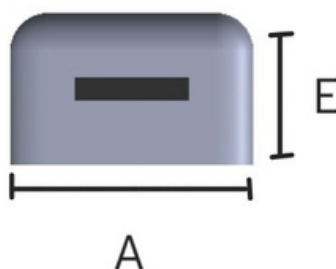


ANODOS ZINC LINGOTE O TRAPEZOIDAL (SOLDABLE O ATORNILLABLE)



CODIGO CODE	LONGITUD (L1) LONGITUDE		ANCHO (A) WIDTH		ESPESOR (E) THICKNESS		NUCELO O ALMA CORE (L2)	PESO LB	WEIGHT KG
	Mm	In	Mm	In	Mm	In			
AZM-LS-1K	150	5.91	30	1.18	30	1.18	1" X 1/4"	2.21	1
AZM-LS-700GM	110	4.33	45	1.77	30	1.18	1" x 1/4"	1.54	0.7
AZM-LS-2.90K	175	6.89	90	3.54	30	1.18	1" X 1/4"	6.39	2.9
AZM-LS-2.50K	225	8.86	105	4.13	15	0.59	1 1/4" X 1/4"	5.51	2.5
AZM-LS-10.70K	305	12.01	95	3.74	55	2.17	1 1/2" X 1/4"	23.59	10.7
AZM-LS-3.70K	300	11.81	55	2.17	35	1.38	1" X 1/4"	8.16	3.7
AZM-LS-4.80K	300	11.81	75	2.95	35	1.38	1" 1/4" X 1/4"	10.58	4.8
AZM-LS-11.80K	250	9.84	85	3.35	80	3.15	1" 1/4" X 1/4"	26.02	11.8
AZM-LS-9.60K	275	10.83	150	5.91	40	1.57	1 1/2" X 1/4"	21.17	9.6
AZM-LS-12.10K	400	15.75	145	5.71	30	1.18	1 1/4" X 1/4"	26.68	12.1
AZM-LS-3.10K	390	15.35	40	1.57	30	1.18	1/2" X 1/4"	6.84	3.1

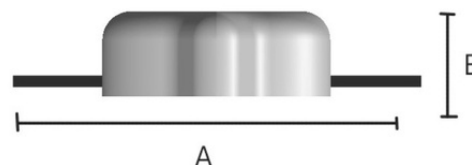
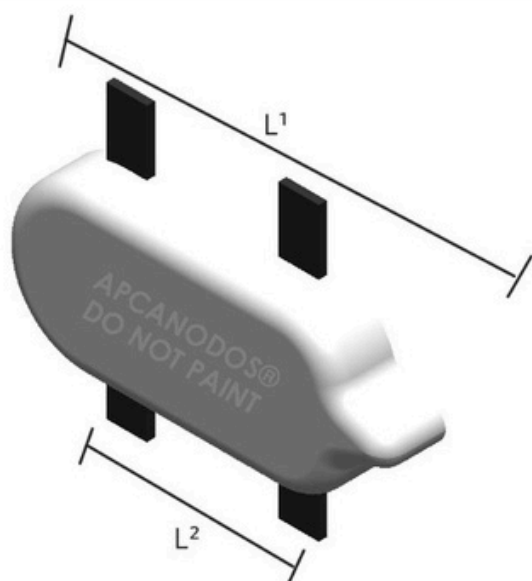
CODIGO CODE	LONGITUD (L1) LONGITUDE		ANCHO (A) WIDTH		ESPESOR (E) THICKNESS		NUCELO O ALMA CORE (L2)	PESO LB	WEIGHT KG
	Mm	In	Mm	In	Mm	In			
AZM-LS-15K	440	17.32	105	4.13	55	2.17	1 1/2" X 1/4"	33.08	15
AZM-LS-13.50K	355	13.98	115	4.53	50	1.97	1 1/2" X 1/4"	29.77	13.5
AZM-LS-20K	305	12.01	155	6.10	65	2.56	1 1/2" X 1/4"	44.10	20
AZM-LS-14.60K	405	15.94	150	5.91	40	1.57	1 1/2" X 1/4"	32.19	14.6
AZM-LS-15.70K	335	13.19	100	3.94	70	2.76	1 1/2" X 1/4"	34.62	15.7
AZM-LS-14.20K	460	18.11	110	4.33	40	1.57	1 1/4" X 1/4"	31.31	14.2
AZM-LS-20.20K	310	12.20	155	6.10	65	2.56	1 1/2" X 1/4"	44.54	20.2
AZM-LS-33K	390	15.35	165	6.50		0.00	1 1/2" X 1/4"	72.77	33
AZM-LS-21K	610	24.02	110	4.33	50	1.97	1 1/2" X 1/4"	46.24	21
AZM-LS-22.30K	590	23.23	115	4.53	50	1.97	1 1/2" X 1/4"	49.17	22.3
AZM-LS-26.30K	620	24.41	120	4.72	70	2.76	1 1/2" X 1/4"	57.99	26.3



ANODOS ZINC TORTUGA CON CABEZA (SOLDABLE O ATORNILLABLE)



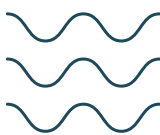
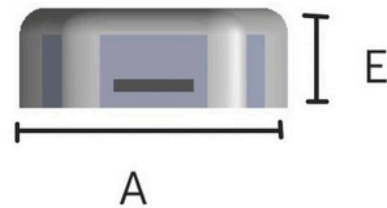
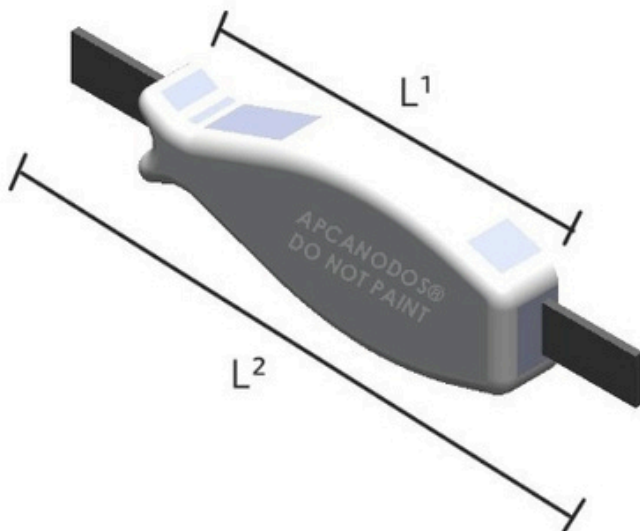
CODIGO CODE	LONGITUD (L2) LONGITUDE		ANCHO (A) WIDTH		ESPESOR (E) THICKNESS		NUCLEO O ALMA CORE (L2)	TIPO TYPE	PESO LB	WEIGHT KG
	Mm	In	Mm	In	Mm	In				
AZM-TCC-14.50	300	11.81	155	6.10	50	1.97	¼" X 1¼"	TORTUGA CON CABEZA	31.97	14.5
AZM-TCC-10.60K		0.00	160	6.30	40	1.57	¼" X 1¼"	TORTUGA CON CABEZA	23.37	10.6
AZM-TCC-10.30	300	11.81	160	6.30	40	1.57	¼" X 1¼"	TORTUGA CON CABEZA	22.71	10.3



ANODOS ZINC PESCADO (SOLDABLE O ATORNILLABLE)



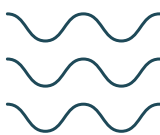
CODIGO CODE	LONGITUD (L2) LONGITUDE		ANCHO (A) WIDTH		ESPESOR (E) THICKNESS		NUCLEO O ALMA CORE (L2)	TIPO TYPE	PESO WEIGHT	
	Mm	In	Mm	In	Mm	In			LB	KG
AZM-PS-1.44K	210	8.27	75	2.95	30	1.18	¼" X 1¼"	PESCADO	3.18	1.44
AZM-PSS-2.42K	225	8.86	35	1.38	76	2.99	¼" X 1¼"	PESCADO	5.34	2.42
AZM-PS-3.50K	210	8.27	80	3.15	45	1.77	¼" X 1¼"	PESCADO	7.72	3.5
AZM-PS-2.27K	200	7.87	72	2.83	30	1.18	¼" X 1¼"	PESCADO	5.01	2.27



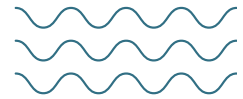
ANODOS ZINC ARO



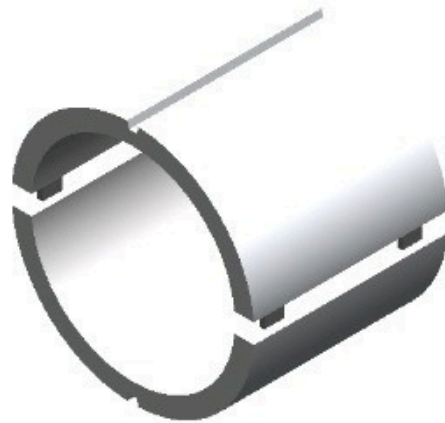
CODIGO CODE	ANCHO (A) WIDTH		ESPESOR (E) THICKNESS		DIAMETRO EXTERIOR OUTSIDE DIAMETER (DE)		DIAMETRO INTERIOR INSIDE DIAMETER (DI)		TIPO TYPE	PESO WEIGHT	
	In	Mm	Mm	In	Mm	In	Mm	In		LB	KG
AZM-ARO-7.50K	63.5	2.50	22.5	0.89	317.5	12.5	203.3	8.00	ARO	16.54	7.5
AZM-ARO-4.54K	59	2.32	15.87	0.62	304.8	12	190.5	7.5	ARO	10.01	4.54



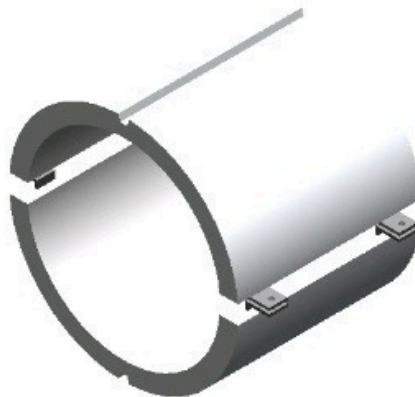
BRAZALETE



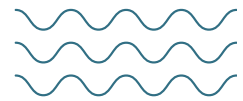
CODIGO CODE	GAP	LONGITUD (L1) LONGITUDE		DIAMETRO (D) DIAMETER		ESPESOR (E) THICKNESS		PESO LB	WEIGHT KG
		Mm	In	mm	in	Mm	In		
ALD-TB5E-E1C-7.70K-II	1 1/2"	203.00	8"	141.00	5 9/16"	31.75	1 1/4"	16.98	7.7
ALD-TB8F-E1D-13.61K-II	2"	196.80	7 7/8"	219.00	8 5/8"	38.10	1 1/2"	30.01	13.61
ALD-TB6A-E1D-16.60K-II	1 1/2"	285.00	11 1/4"	169.00	6 11/16"	38.10	1 1/2"	36.60	16.6
ALD-TB8F-E1C-17.25K-II	1 1/4"	305.00	12"	219.00	8 3/4"	31.75	1 1/4"	38.04	17.25
ALD-TB4D-E1D-17.70K-II	2"	465.00	18.3"	114.30	4 1/2"	38.10	1 1/2"	39.03	17.7
ALD-TB4D-E1D-18.10K-II	1 1/2"	444.50	17 1/2"	114.30	4 1/2"	38.10	1 1/2"	39.91	18.1
ALD-TB5E-E1D-18.10K-II	1 1/2"	361.90	14 1/4"	141.00	5 9/16"	38.10	1 1/2"	39.91	18.1
ALD-TB6F-E1D-18.10K-II	1 1/2"	317.50	12 1/2"	168.2	6 5/8"	38.10	1 1/2"	39.91	18.1



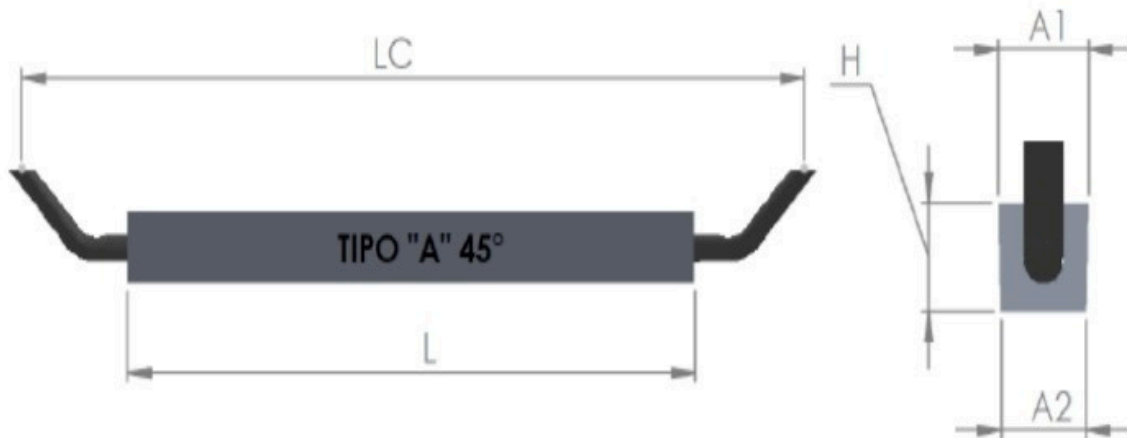
CODIGO CODE	GAP	LONGITUD (L1) LONGITUDE		DIAMETRO (D) DIAMETER		ESPESOR (E) THICKNESS		PESO LB	WEIGHT KG
		Mm	In	mm	in	Mm	In		
ALD-TB9F-E1-18.14K-I	2"	371.00	14 3/4"	244.47	9 3/4"	25.40	1"	40.00	18.14
ALD-TB6F-E1D-18.60K-II	3"	368.00	14 1/2"	168.20	6 5/8"	38.10	1 1/2"	41.01	18.6
ALD-TB6F-E1D-20.52K-II	2"	371.40	14 3/4"	168.20	6 5/8"	38.10	1 1/2"	45.25	20.52
ALD-TB8F-E1D-22.67K-II	2"	323.85	12 3/4"	219.00	8 3/4"	38.10	1 1/2"	49.99	22.67
ALD-TB8F-E1D-22.70K-II	1 1/2"	311.00	12 1/4"	219.00	8 3/4"	38.10	1 1/2"	50.05	22.70
ALD-TB8F-E1D-28.60K-II	2"	419.10	16 1/2"	219.00	8 3/4"	38.10	1 1/2"	63.06	28.60
ALD-TB16H-EO-30.88K-II	2"	410.00	14 1/4"	425.45	16 3/4"	22.20	7/8"	68.09	30.88
ALD-TB12H-E1H-32.16K-II	2"	266.70	10 1/2"	323.80	12 3/4"	44.40	1 3/4"	70.91	32.16
ALD-TB10H-E1D-34.47K-II	2"	400.00	15 3/4"	273.00	10 3/4"	38.10	1 1/2"	76.01	34.47



TRAPEZOIDAL



TIPO "A" 45°



CODIGO CODE	ANCHO (A1) WIDTH		ANCHO (A2) WIDTH		ALTURA HEIGHT		LONGITUD (L1) LONGITUDE		LONGITUD (L2) LONGITUDE		NUCLEO O ALMA CORE	PESO LB	WEIGHT KG
	Mm	In	Mm	In	Mm	In	Mm	In	Mm	In			
AL-TA45-001	184	7.24	152	5.98	146	5.75	2438.00	95.98	3370	132.68	2° CEDULA 80	324.14	147
AL-TB45-001	184	7.24	152	5.98	146	5.75	2438.00	95.98	1524	60.00	2° CEDULA 80	324.14	147
AL-TA45-002	190.7	7.51	171.5	6.75	165	6.50	2540.00	100.00	2845	112.01	2° CEDULA 80	425.57	193
AL-TB45-002	190.7	7.51	171.5	6.75	165	6.50	2540.00	100.00	2130	83.86	2° CEDULA 80	425.57	193
AL-TA45-003	200	7.87	175	6.89	210	8.27	2540.00	100.00	3353	132.01	3° CEDULA 80	540.23	245
AL-TB45-003	200	7.87	175	6.89	210	8.27	2540.00	100.00	2130	83.86	3° CEDULA 80	540.23	245
AL-TA45-004	260	10.24	245	9.65	240	9.45	2438.00	95.98	3260	128.35	4° CEDULA 80	725.45	329
AL-TB45-004	260	10.24	245	9.65	240	9.45	2438.00	95.98	2130	83.86	4° CEDULA 80	725.45	329

TIPO "B" 45°

